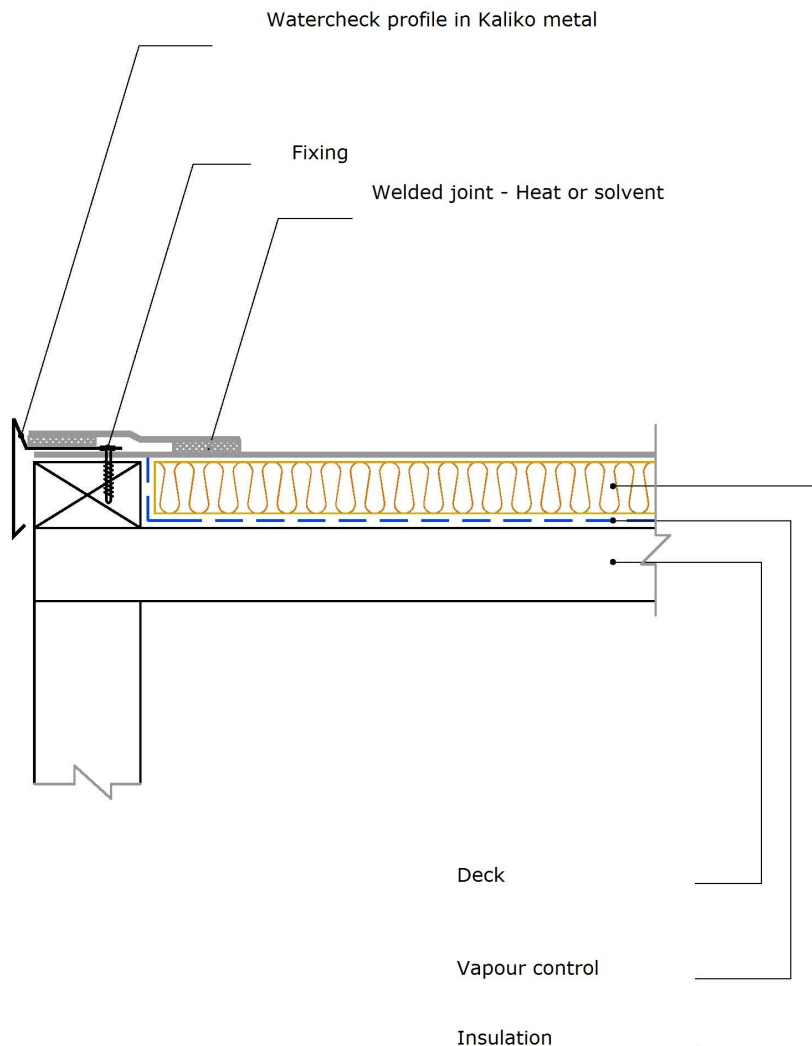


## Roof edge trim with water stop - warm roof construction



This detail is intended only as a guide to demonstrate how successful flashing details have been achieved using PVC, FPO and other membranes of a similar type.

The Kaliko Multiplan range of roofing membranes is designed to be used with any and every existing fixing method currently employed in the world wide, PVC/TPO flexible sheet, single ply roofing industry.

Specifiers are free to choose their preferred method of fixing and their preferred flashing methods to achieve a waterproof seal using any current and successfully used PVC/TPO manufacturers design.

Every trained, licensed and certificated PVC/TPO contractor is able to fix Kaliko Multiplan roofing membranes no matter which manufacturer trained them, using either heat or solvent welding techniques.

**KALIKO**

**Flat roofs with a future**